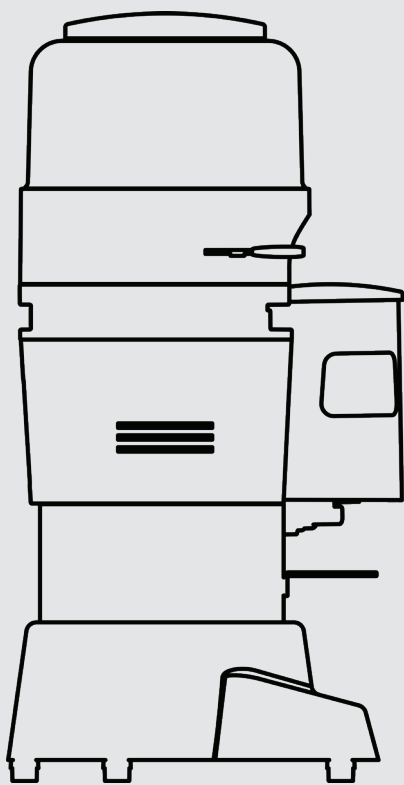


parts catalog

vulcano automatic







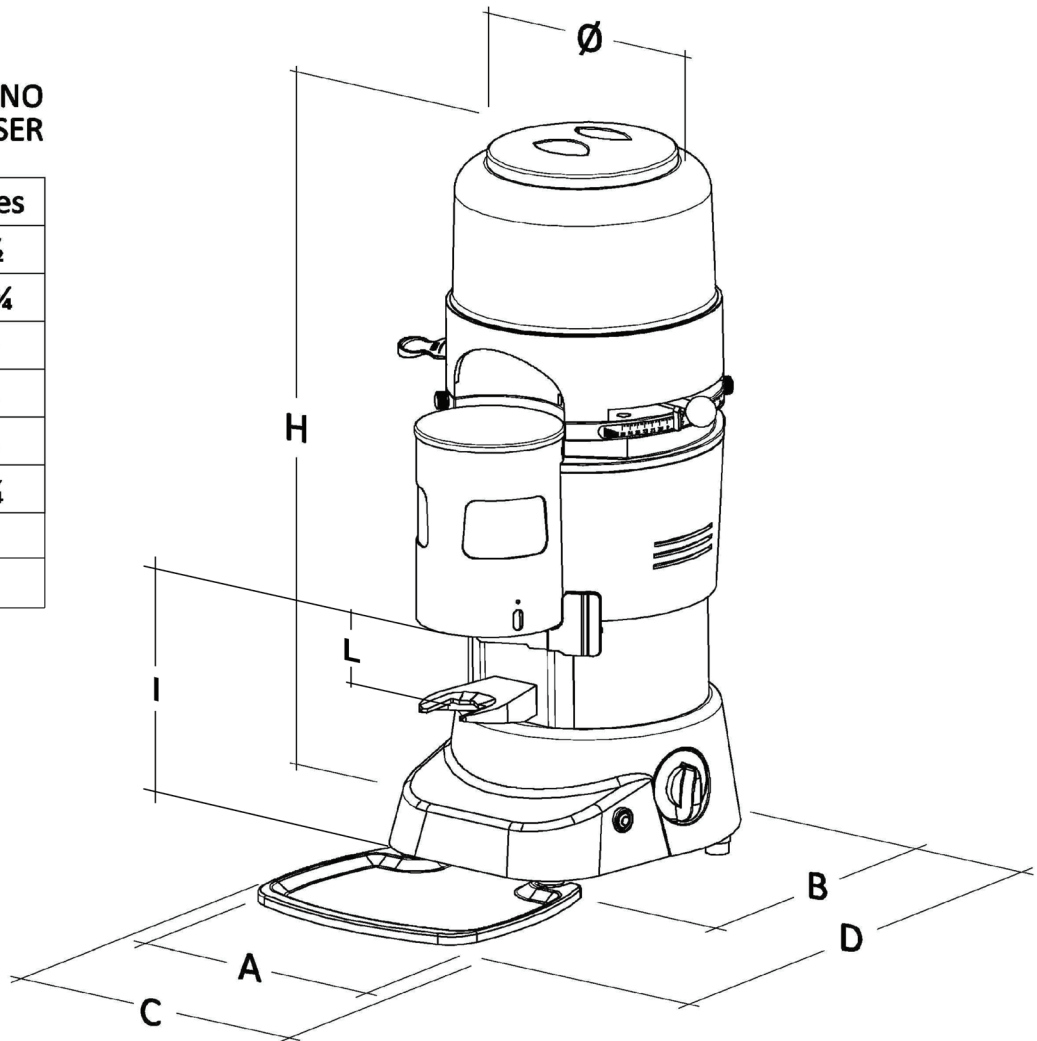
la marzocco

handmade in florence

VULCANO AUTOMATIC dimensions

VULCANO GRINDER – DOSER

	mm	inches
A	240	9 ½
B	295	11 ¾
C	250	10
D	455	18
H	610	24
Ø	235	9 ¼
I	223	2¾
L	70	8¾





la marzocco

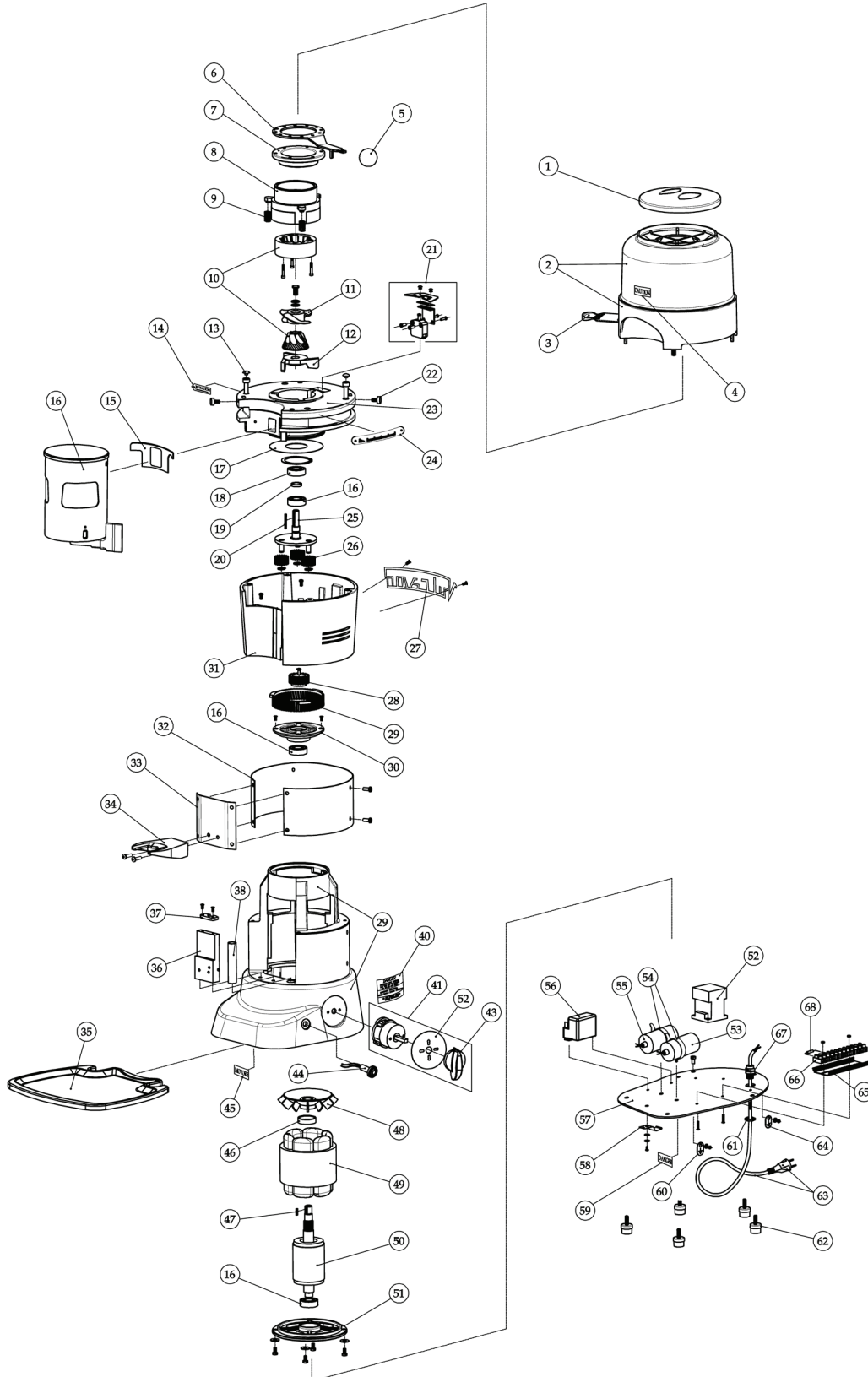
handmade in florence

NOTE:



la marzocco
handmade in florence

VULCANO AUTOMATIC Grinder





la marzocco

handmade in florence

VULCANO AUTOMATIC Grinder

1	M.1.003	HOPPER COVER	
2	M.1.004	COMPLETE VULCANO HOPPER SET	
3	M.1.005	VULCANO LOCKING SLIDE	
4	M.1.083	LABEL: "CAUTION HOPPER"	VERS. 110V/60HZ
			VERS. 100V/50-60HZ
			VERS. 220V/60HZ
			VERS. 200V/50-60HZ
5	M.1.006	BALL GRIP FOR ADJUSTMENT LEVER	
6	M.1.007	ADJUSTMENT LEVER FOR VULCANO	
7	M.1.008	VULCANO COFFEE GRINDING ADJUSTMENT DISK	
8	M.1.009	UPPER GRINDING BLADE HOLDER SINGLE PH	
	M.1.201	UPPER GRINDING BLADE HOLDER 3 PH	
9	M.1.010	GRINDING ADJUSTMENT SPRING	
10	M.1.011	CONICAL GRINDING BLADE SET	SINGLE PHASE
	M.1.202	CONICAL GRINDING BLADE SET	THREE PHASE
12	M.1.013	LOWER GRINDING BLADE HOLDER SINGLE PH	SINGLE PHASE
	M.1.205	LOWER GRINDING BLADE HOLDER 3 PH	THREE PHASE
13	M.1.014	CAP FOR TCE M6 SCREWS	
14	M.1.015	LABEL: MOTOR ROTATION	
15	M.1.036	GASKET	
16	M.1.207	VULCANO DOSER (W/O COVER)	
17	M.1.017	DISC TO CLOSE BODY-HEAD	
18	M.1.018	BEARING 6202 DDU CM	
19	M.1.019	THICKNESS PLANETARY SHAFT	
20	M.1.020	KEY 3X3X30 UNI 6604 A	
21	M.1.021	SAFETY MICROSWITCH	
22	M.1.022	CHECK PIN FOR HOPPER FOR VULCANO	
23	M.1.023	VULCANO ON DEMAND BODY-HEAD	
24	M.1.024	GRINDING ADJUSTMENT INDICATOR	
25	M.1.026	SHAFT WITH 3 PIVOTS FOR SIGLE PHASE	
	M.1.209	SHAFT W/3 PIVOTS X 3 PH	
26	M.1.027	REDUCTION SATELLITE	
27	D.4.005	VULCANO AUTOMATIC PLATE	
28	M.1.051	REDUCTION PLANET	
29	M.1.212	REDUCTION CROWN	
30	M.1.213	BEARING HOLDER-DISK	
31	M.1.214	BODY FOR VULCANO AUTOMATIC	
32	M.1.215	COVER FOR VULCANO AUTOMATIC/ON DEMAND	
33	M.1.054	MOTOR COVER VULCANO AUTOMATIC	
34	M.1.217	FORK FOR FILTERHOLDER REST	
35	M.1.059	DRIP TRAY	
36	M.1.219	SUPPORT FOR MOTOR COVER VULCANO AUTOMATIC	
37	M.1.220	DOSER FIXING BLOCK	
38	M.1.221	PVC PIPE D16-L80	
Item	Codice	Descrizione	

GRINDER



la marzocco

handmade in florence

VULCANO AUTOMATIC Grinder

Item	Codice	Descrizione	GRINDER	
			VERS.	PHASE
39	M.1.222	BASE AND INNER BODY		
40	M.1.037	"DANGER" LABEL	VERS. 110 V/60 HZ	
			VERS. 100 V/50-60 HZ	
41	M.1.224	2 POLE ROTATIVE SWITCH WITH AUXILIARY PHASE		SINGLE PHASE
	M.1.225	3 POLE ROTATIVE SWITCH WITH AUXILIARY PHASE		THREE PHASE
42	M.1.067	SWITCH PLATE - O / I / START		
43	M.1.070	ROTATIVE SWITCH KNOB		
44	M.1.067	PILOT LIGHT 230/400V - GREEN	VERS. 220-240V/50HZ	
			THREE PHASE 200V/50-60HZ	
	M.1.070	PILOT LIGHT 110V UL - RED	VERS. 220V/60HZ	
			THREE PHASE 230-400V/50HZ	
45		MOTOR LABEL		
46	M.1.073	FIXING RING FAN		
47	M.1.074	KEY 4X4X14 UNI 6604 A		
48	M.1.075	COOLING FAN		
49	M.1.076	COILED STATOR SINGLE PHASE 220-240V/50HZ	VERS. 220-230V/50HZ	
			VERS. 230-240V/50HZ	
	M.1.078	COILED STATOR SINGLE PHASE 220-240V/50HZ	VERS. 220-230V/50HZ	
			VERS. 230-240V/50HZ	
	M.1.080	COILED STATOR SINGLE PHASE 220V/60HZ		VERS. 220V/60HZ
M.1.228	COILED STATOR THREE PHASE 230-400V/50HZ		THREE PHASE 230-400V	
M.1.229	COILED STATOR THREE PHASE 200V/50-60HZ		THREE PHASE 200V/50-60HZ	
50	M.1.081	ROTOR		
51	M.1.082	MOTOR CAP		
52	M.1.230	CONTACTOR BG9.10 – 230V/50HZ		SINGLE PHASE 220-230V/50HZ
	M.1.231	CONTACTOR 3RT1016 – 240V/50HZ		SINGLE PHASE 230-240V/50HZ
	M.1.232	CONTACTOR BG9.10 - 100V/50-60HZ		SINGLE PHASE 100V/50-60HZ
	M.1.235	CONTACTOR BG9.10 - 220V/60HZ		SINGLE PHASE 220V/60HZ
	M.1.236	CONTACTOR BG9.10 - 110V/60HZ		SINGLE PHASE 110V/60HZ
	M.1.237	CONTACTOR 3RT1016 – 400V/50HZ		THREE PHASE 380-400V/50HZ
	M.1.238	CONTACTOR 3RT1016 – 200V/50-60HZ		THREE PHASE.200V/50-60HZ
53	M.1.114	CAPACITOR 12.5 UF	VERS. 220-230V/50HZ	
			VERS. 230-240V/50HZ	
	M.1.115	CAPACITOR 40 UF UL		VERS. 220V/60HZ
54	M.1.119	STRAP RELF 170 BLACK	VERS. 110V/60HZ	
			VERS. 100V/50-60HZ	
Item	Codice	Descrizione		



la marzocco

handmade in florence

VULCANO AUTOMATIC Grinder

Item	Codice	Descrizione	
55	M.1.116	CAPACITOR 10 UF	VERS. 220-230V/50HZ VERS. 230-240V/50HZ VERS. 220V/60HZ
	M.1.117	CAPACITOR 30 UF UL	VERS. 110V/60HZ
	M.1.115	CAPACITOR 40 UF UL	VERS. 100V/50-60HZ
56	M.1.086	RELÈ "TEXAS" 4CR1-625	VERS. 220-230V/50HZ
	M.1.087	RELÈ "TEXAS" 4CR1-630	VERS. 230-240V/50HZ
	M.1.088	RELÈ "TEXAS" 4CR1-640	VERS. 220V/60HZ
	M.1.089	RELÈ "TEXAS" 4CR1-670	VERS. 100V/60HZ
	M.1.090	RELÈ "TEXAS" 4CR1-690	VERS. 110V/60HZ VERS. 100V/50HZ
57	M.1.240	VULCANO AUTOMATIC BOTTOM PLATE	
58	M.1.093	SHEET FOR DRIP TRAY LOCKING	
59	M.1.037	LABEL: "DANGER"	VERS. 110V/60HZ VERS. 100V/50-60HZ VERS. 220V/60HZ VERS. 200V/50-60HZ
60	M.1.094	"EXTERNAL UNIPOTENTIAL CLAMP" PLATE	VERS. CE
61	M.1.095	NUT FOR PG11 CABLE LOCKING	
62	M.1.096	FOOT DD2015H	
63	M.1.098	ELECTRIC CABLE - "ITALY"	
	M.1.098	ELECTRIC CABLE - "EUROPE"	
	M.1.099	ELECTRIC CABLE - "USA"	
	M.1.100	ELECTRIC CABLE - "AUSTRALIA"	
	M.1.101	ELECTRIC CABLE - "GREAT BRITAIN"	
	M.1.102	ELECTRIC CABLE - "ISRAEL"	
	M.1.103	ELECTRIC CABLE - "SWITZERLAND"	
	M.1.104	ELECTRIC CABLE - "CHINA"	
	M.1.105	ELECTRIC CABLE - "ARGENTINA"	
	M.1.106	ELECTRIC CABLE - "KOREA"	
	M.1.105	ELECTRIC CABLE - THREE PHASE 230V	
M.1.122	ELECTRIC CABLE - THREE PHASE 400V		
64	M.1.107	"GROUND" PLATE	
65	M.1.109	UNDER TERMINAL BLOCKS	12 POLES
66	M.1.108	TERMINAL BLOCKS	12 POLES
67	M.1.113	FLEXIBLE CABLE LOCKING NSK-K PG11 BLACK	
68	M.1.111	LOAD RESISTOR 220 KILO-OHM 2 WATT	VERS. 220-230V/50HZ VERS. 230-240V/50HZ VERS. 220V/60HZ
	M.1.112	LOAD RESISTOR 68 KILO-OHM 2 WATT	VERS. 110V/60HZ VERS. 100V/50-60HZ

GRINDER



la marzocco

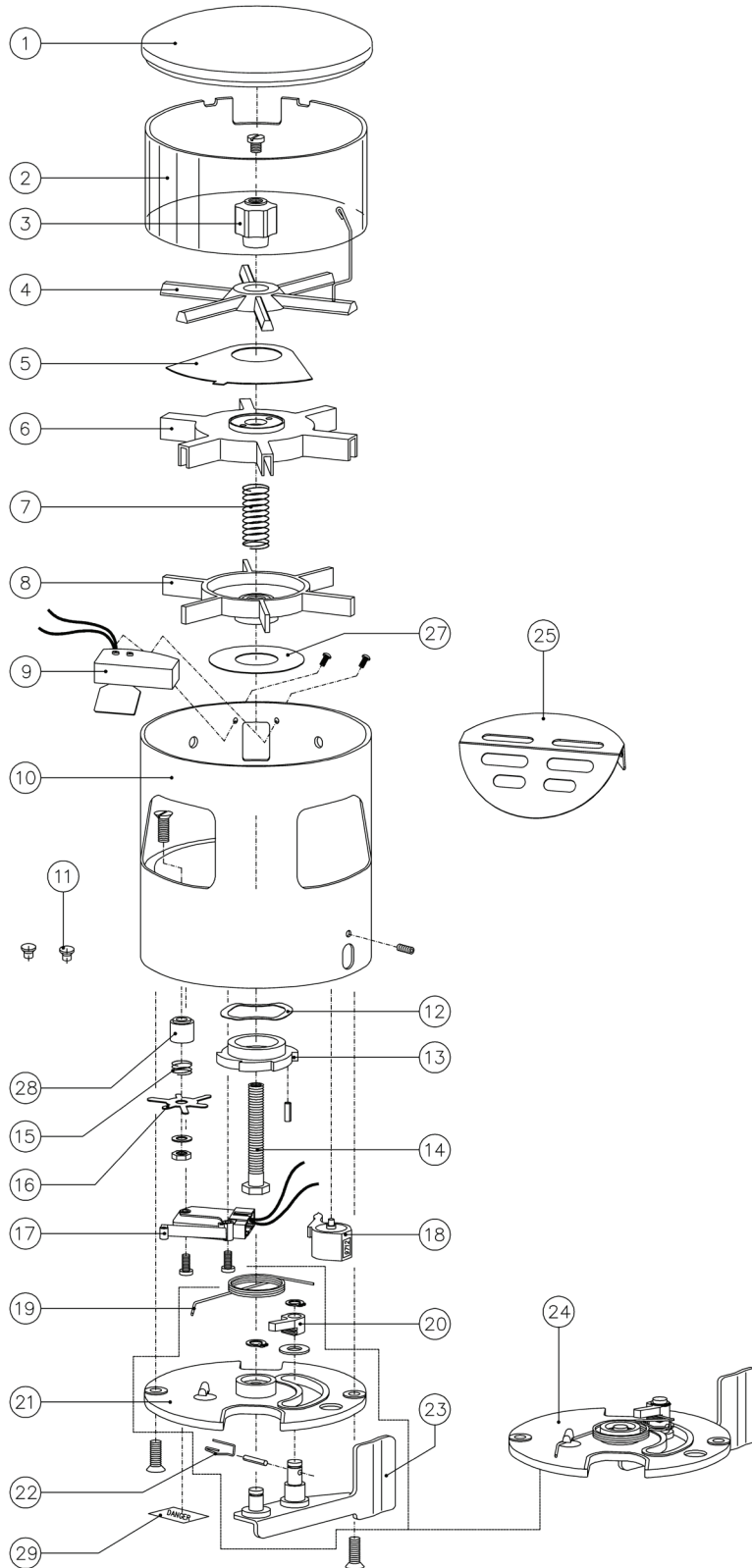
handmade in florence

NOTE:



la marzocco
handmade in florence

VULCANO AUTOMATIC Doser





la marzocco

handmade in florence

VULCANO AUTOMATIC

Doser

DOSER	1	M.1.241	DOSER COVER	
	2	M.1.242	CYLINDER FOR DOSER	
	3	M.1.243	DOSE ADJUSTMENT KNOB	
	4	M.1.245	UPPER DOSING STAR	
	5	M.1.244	COFFEE OUTLET COVERING SECTION PLATE	
	6	M.1.246	FEMALE DOSING STAR	
	7	M.1.247	DOSING SYSTEM PRESSING SPRING	
	8	M.1.248	MALE DOSING STAR	
	9	M.1.249	UPPER MICROSWITCH	
	10	M.1.250	VULCANO DOSER PIPE	
	11	M.1.251	SCREW WITHOUT SLOT	
	12	M.1.252	CORRUGATED RING D.32	
	13	M.1.253	RATCHET	
	14	M.1.254	DOSER ADJUSTMENT SCREW - M8X70	
	15	M.1.255	LOWER MICROSWITCH SPRING	
	16	M.1.256	LOWER MICROSWITCH STAR	
	17	M.1.257	LOWER MICROSWITCH	
	18	M.1.258	COUNTER	
	19	M.1.259	DOSING LEVER RETURN SPRING	
	20	M.1.260	NOSE	
	21	M.1.261	DOSER BOTTOM	
	22	M.1.263	NOSE SPRING	
	23	M.1.262	DOSING LEVER	
	24	M.1.264	DOSER BOTTOM SET	
	25	M.1.041	COFFEE OUTLET GUARD	
	27	M.1.266	DOSER WASHER D.50 THICK. 0,4	
	28	M.1.211	LOWER MICROSWITCH STAR SPACE	
	29	M.1.037	LABEL "DANGER"	VERS. 110V/60HZ VERS. 100V/50-60HZ VERS. 200V/50-60HZ VERS. 220V/60HZ
Item	Codice	Descrizione		

LA MARZOCCO SRL
Via La Torre, 14/H
Localita' La Torre
50038 Scarperia e San Piero
(Florence) - ITALY
T. +39 055 849 191
F. +39 055 849 1990
info@lamarzocco.com
www.lamarzocco.com