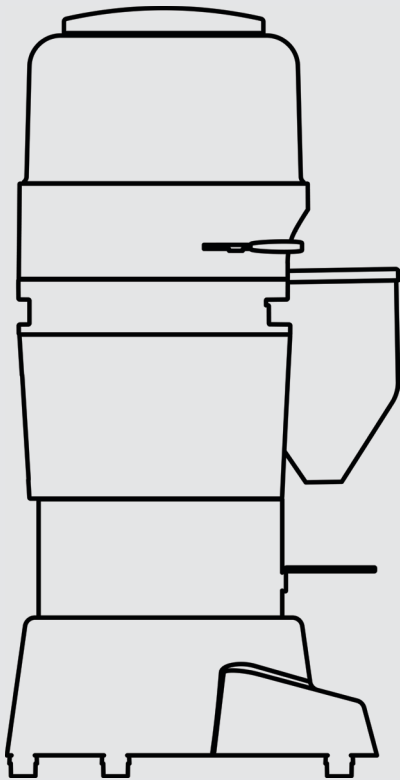


parts catalog

vulcano on demand







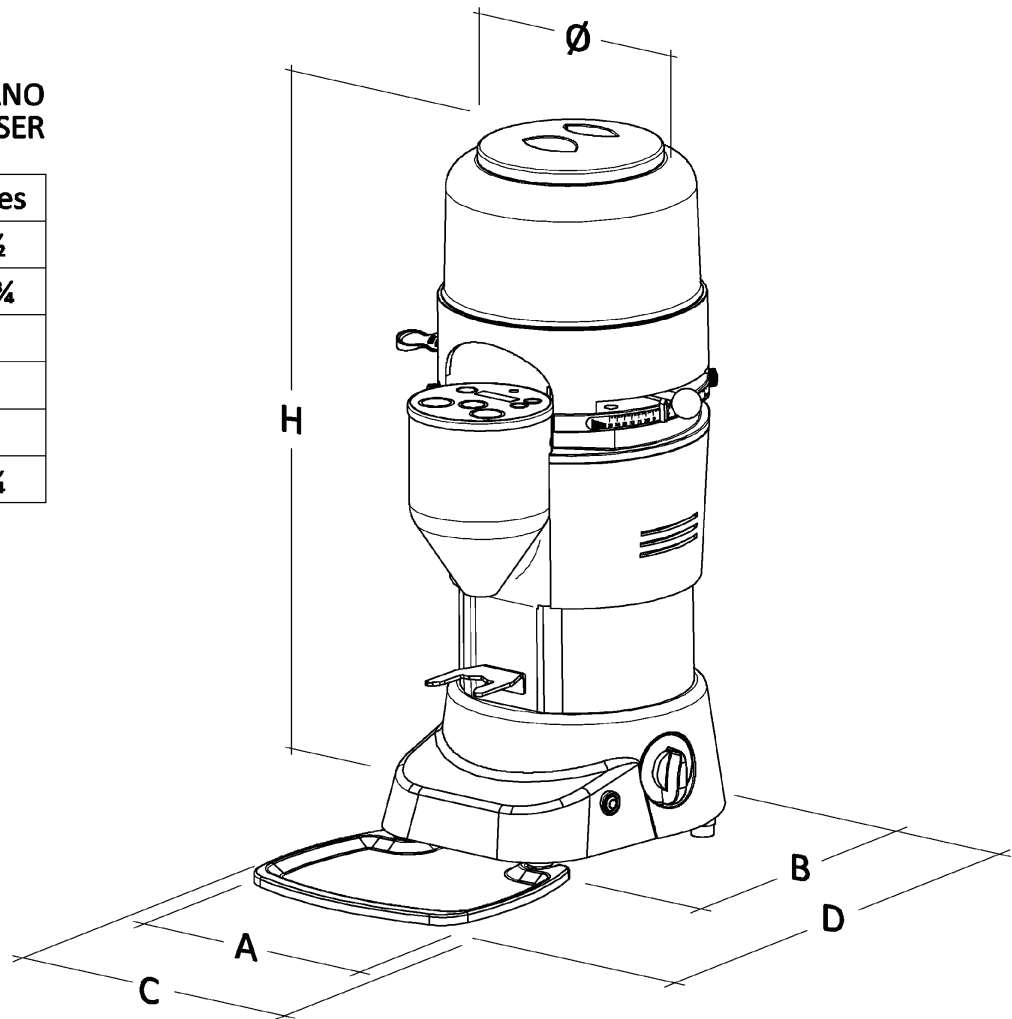
la marzocco

handmade in florence

VULCANO ON DEMAND dimensions

VULCANO GRINDER – DOSER

	mm	inches
A	240	9 ½
B	295	11 ¾
C	250	10
D	455	18
H	610	24
∅	235	9 ¼





la marzocco
handmade in florence

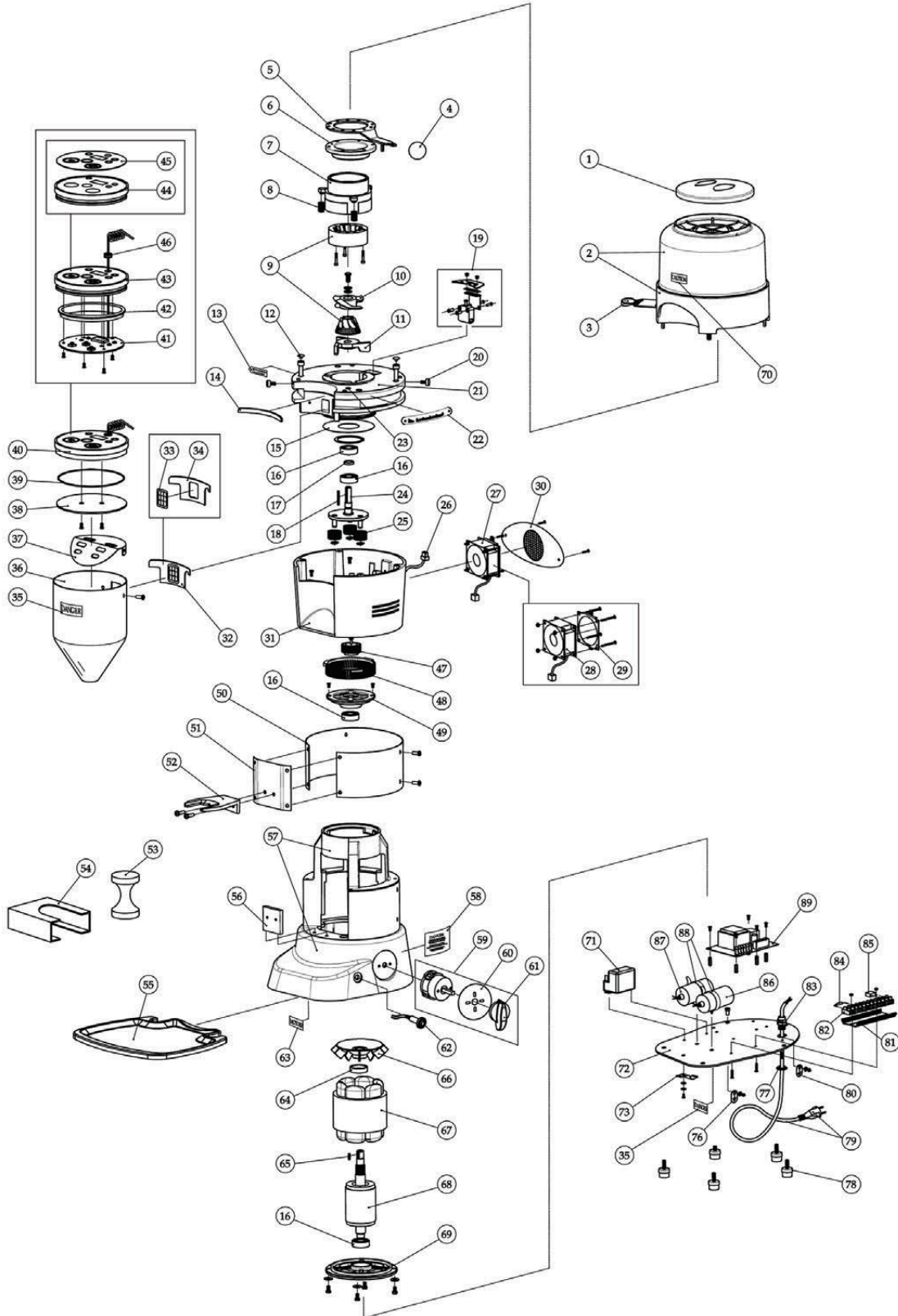
NOTE



la marzocco

handmade in florence

VULCANO ON DEMAND





la marzocco

handmade in florence

VULCANO ON DEMAND

ON DEMAND

1	M.1.003	Hopper cover	
2	M.1.004	Complete Vulcano hopper set	
3	M.1.005	Vulcano lockings lid	
4	M.1.006	Ball gip for a adjustment lever	
5	M.1.007	Adjustment lever for Vulcano	
6	M.1.008	Vulcano coffee grinding adjustment disk	
7	M.1.009	Upper grinding plate holder single phase	
8	M.1.010	Grinding adjustment spring	
9	M.1.011	Conical grinding plate set	
10	M.1.012	Propeller single phase	
11	M.1.013	Lower grinding plate holder single phase	
12	M.1.014	Cap for TC66 screws	
13	M.1.015	Label: Motor rotation	
14	M.1.016	Upper gasket	
15	M.1.017	Disc to close body-lid	
16	M.1.018	Bearing Ø20 DU CM	
17	M.1.019	Thickens planetary shaft	
18	M.1.020	Key 3x3x30 UNI 6604 A	
19	M.1.021	Safety microswitch	
Ø	M.1.022	Checkpin for hopper for Vulcano	
2	M.1.023	Vulcano On Demand body-lid	
2	M.1.024	Grinding adjustment indicator	
2	M.1.025	Hexagonal cable lock	
2	M.1.026	Shaft with pivots for single phase	
2	M.1.027	Reduction satellite	
Ø	M.1.028	Connection cable for fan	
2	M.1.029	Fan Øx Ø – wired with frame	
30	D.4.003	Filter for Vulcano On Demand	
31	M.1.033	Body for Vulcano On Demand	
32	M.1.034	Gasket with G ridge type "C"	
33	M.1.035	Grid type "C"	
34	M.1.036	Gasket	
35	M.1.037	Drainage label	Vers. 110 V/60 Hz Vers. 100 V/50-60 Hz Vers. Ø V/ 60 Hz
36	M.1.040	Panel H 160 Vulcano	
37	M.1.041	Coffee outlet guard	
38	M.1.042	Bottom for pressure ton lid	
39	M.1.043	O-Ring 10.7x 1.8 N BR70	
40	M.1.044	Assembly pressure tons card with display	
42	M.1.046	Gasket pressure ton bladder lid	
43	M.1.047	Lid bladder membrane	
44	M.1.048	Pressure ton bladder lid with display window	
45	M.1.049	Bladder membrane Vulcano	
Item	Codice	Descrizione	



la marzocco

handmade in florence

VULCANO ON DEMAND

Item	Codice	Descrizione	
	46	M.1.050	Cate locking 40- 80-Ø b ack
	47	M.1.051	Redtion pla net
	48	M.1.22	Redtion cro wn
	49	M.1.23	Bearingpld r-d sk
	50	M.1.054	Cover for Vlc ano Automatic/On Demand
	51	M.1.055	Motor cover for Vulcano On Demand
	52	M.1.056	Forkfor electr onic
	53	M.1.057	Handamper double d am. D. 52.5 / 5Ø
	54	M.1.058	Support for filter holder
	55	M.1.059	Drip tray
	56	M.1.06	Spport for mot or cover Vulcano On Demand
	57	M.1.06	Base andnne r bgl
	59	M.1.06.R	Rotative switchpl ate switch and switch
	6	M.1.06	Switchplate O / I
	6	M.1.06	Rotative switchkob
Ø	M.1.07	Pilot lig 20 /400V - g een	Vers. Ø- 230 V/50 Hz
			Vers. Ø- 240 V/50 Hz
Ø	M.1.07	Pilot lig 110V U L - red	Vers. Ø V/ 60 Hz
			Vers. 110 V/60 Hz
Ø	M.1.07	Pilot lig 110V U L - red	Vers. 100 V/50-Ø H z
			Vers. 100 V/50-Ø H z
Ø		Motor labl	
Ø	M.1.07	Fixingingfan	
6	M.1.07	Key 4x4x14 UNI Ø4 A	
6	M.1.07	Coolingfan	
Ø	M.1.08	Coiled tator sing e phase 220-Ø0V/ 50Hz	Vers. Ø- 230 V/50 Hz
			Vers. Ø- 240 V/50 Hz
			Vers. 110 V/60 Hz
Ø	M.1.08	Coiled tator sing e phase 110V/ØH z	Vers. 100 V/50-Ø H z
			Vers. 100 V/50-Ø H z
Ø	M.1.080	Coiled tator sing e phase 220V/ØH z	Vers. Ø V/ 60 Hz
Ø	M.1.081	Rotor	
Ø	M.1.082	Motor cap	
Ø	M.1.083	Labl: Catio n - Hopper"	Vers. 110 V/60 Hz
			Vers. 100 V/50-Ø H z
			Vers. Ø V/ 60 Hz
I	M.1.086	RelèT exas"4CR 1-Ø	Vers. Ø- 230 V/50 Hz
	M.1.087	RelèT exas"4CR 1-Ø0	Vers. Ø- 240 V/50 Hz
	M.1.088	RelèT exas"4CR 1-Ø0	Vers. Ø V/ 60 Hz
	M.1.089	RelèT exas"4CR 1-Ø	Vers. 100 V/60 Hz
	M.1.090	RelèT exas"4CR 1-Ø0	Vers. 110 V/60 Hz
Ø	M.1.090	RelèT exas"4CR 1-Ø0	Vers. 100 V/50 Hz
			Vers. 100 V/50 Hz
2	M.1.092	Vlc ano O n DemandØ tom plate	
Item	Codice	Descrizione	



la marzocco

handmade in florence

NOTE



la marzocco

handmade in florence

VULCANO ON DEMAND

ON DEMAND	3	M.1.093	Sheet for Drip Tray locking	
	6	M.1.094	External dipotential clamp" plate	Vers. CE
	7	M.1.095	Nut for PG 11 cable locking	
	8	M.1.096	Foot DDØ15 H	
	9	M.1.097	Electric cable - "Italy"	
		M.1.098	Electric cable - "Europe"	
		M.1.099	Electric cable - "USA"	
		M.1.100	Electric cable - "Australia"	
		M.1.101	Electric cable - "Great Britain"	
		M.1.102	Electric cable - "Israel"	
		M.1.103	Electric cable - "Switzerland"	
		M.1.104	Electric cable - "China"	
		M.1.105	Electric cable - "Argentina"	
	M.1.106	Electric cable - "Korea"		
	80	M.1.107	Ground plate	
	81	M.1.109	Terminal blocks	12 poles
	82	M.1.109	Under terminal block	12 poles
	83	M.1.110	Capacitor 0,47 uF	Vers. Ø- 230 V/50 Hz
				Vers. Ø- 240 V/50 Hz
				Vers. Ø V/ 60 Hz
	84	M.1.111	Load resistor Ø K ohm 2 Watt	Vers. Ø- 230 V/50 Hz
				Vers. Ø- 240 V/50 Hz
		M.1.112	Load resistor Ø K ohm 2 Watt	Vers. 110 V/60 Hz
				Vers. 100 V/50-60 Hz
	85	M.1.113	Flexible Cable locking SK-K PG11 black	
	86	M.1.114	Capacitor 12.5 uF	Vers. Ø- 230 V/50 Hz
				Vers. Ø- 240 V/50 Hz
		M.1.115	Capacitor 40 uF UL	Vers. Ø V/ 60 Hz
				Vers. 110 V/60 Hz
				Vers. 100 V/50-60 Hz
87	M.1.116	Capacitor 10 uF	Vers. Ø- 230 V/50 Hz	
			Vers. Ø- 240 V/50 Hz	
	M.1.117	Capacitor 30 uF UL	Vers. Ø V/ 60 Hz	
			Vers. 110 V/60 Hz	
			Vers. 100 V/50-60 Hz	
88	M.1.119	Strap REF 170 black		
89	M.1.120	Board for dB meter 220-240V el. C	Vers. Ø- 230 V/50 Hz	
			Vers. Ø- 240 V/50 Hz	
	M.1.121	Board for dB meter 100-115V el. C	Vers. Ø V/ 60 Hz	
			Vers. 110 V/60 Hz	
			Vers. 100 V/50-60 Hz	
Item	Codice	Descrizione		

LA MARZOCCO SRL
Via La Torre, 14/H
Localita' La Torre
50038 Scarperia e San Piero
(Florence) - ITALY
T. +39 055 849 191
F. +39 055 849 1990
info@lamarzocco.com
www.lamarzocco.com