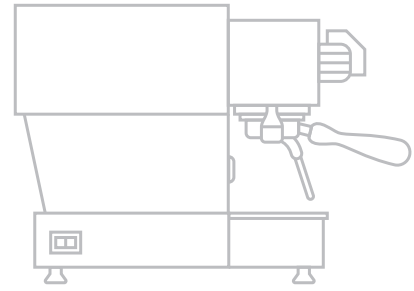
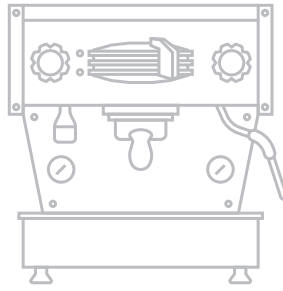


## U.S. installation guideline

# linea mini



### Dimensions

|        |     |
|--------|-----|
| Height | 15" |
| Width  | 14" |
| Depth  | 21" |

### Weights

|                  |        |
|------------------|--------|
| Shipping Weight  | 95 lbs |
| Operating Weight | 71 lbs |

### Power

|                         |                              |
|-------------------------|------------------------------|
| Voltage/Phase/Cycle     | 120 VAC 1Φ 60Hz              |
| Wattage                 | 1620                         |
| Full Load Amp Draw      | 20 (14.6 in half power mode) |
| Max. Dist. from Outlet* | 5'                           |
| NEMA Plug and Outlet*   | 5-15P, plug is included      |

### Water

Specifications for plumb-in. Disregard if using the internal water reservoir.

|                          |  |
|--------------------------|--|
| Water Flow Rate          | 2GPM   |
| Dynamic Water Pressure † | 45PSI  |
| Min. Pipe Size Diameter* | 3/8"   |
| Water Connection*        | 3/8" male comp.  |
| Water Quality            | Contact us for a free water test kit.<br>See water specifications. |

### Drainage

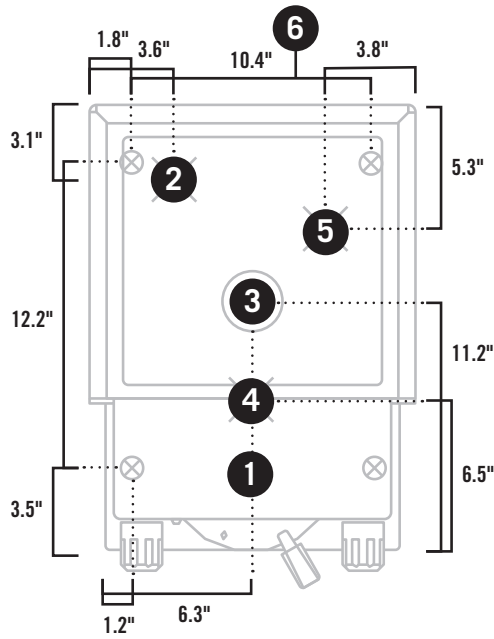
|                       |                    |
|-----------------------|--------------------|
| Max. Dist.*           | 5 ft               |
| Drain Slope*‡         | Min. 1/4" per foot |
| Counter Hole Diameter | 2"                 |

\* suggested | † regulate as needed | ‡ This machine must be installed in accordance with the applicable federal, state and local plumbing codes  
° Height from the base of the machine to the group head



# la marzocco

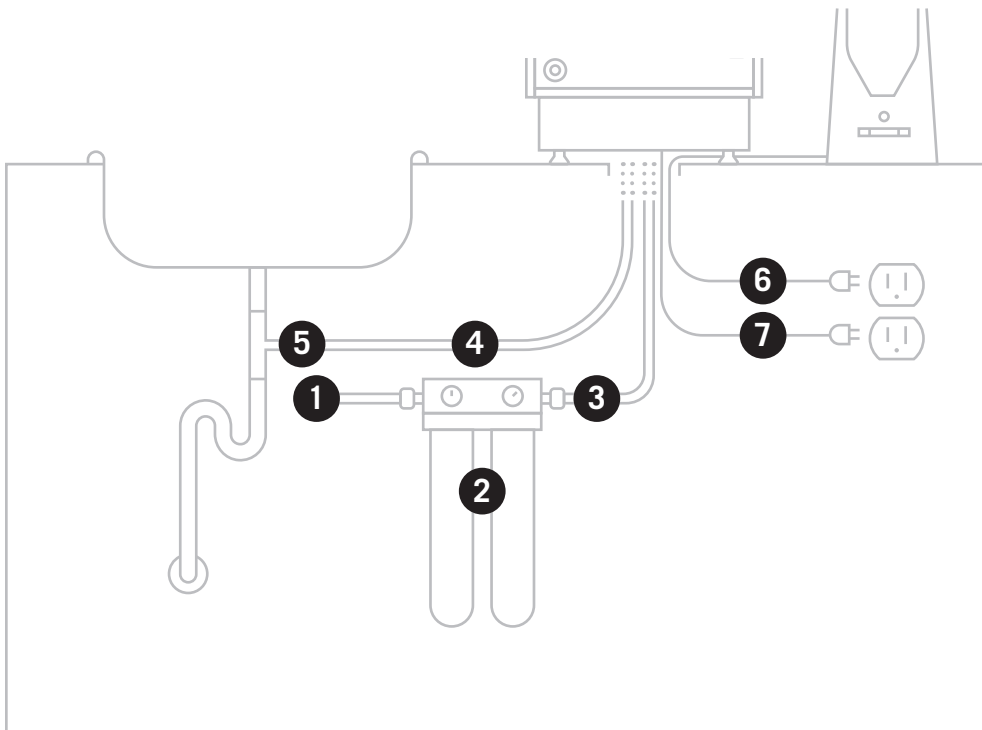
handmade in florence



## top view

1. center line of the machine
2. position of the power cord
3. suggested diameter of counter hole: 2.5"
4. position of the drain tube
5. position of the water inlet hose
6. width of legs per model

⊗ machine leg location



## front view

Specifications for plumb-in. Disregard if using the internal water reservoir.

1. 3/8" cold water supply
2. water filter required if plumbed (not provided), see water specifications below.
3. 3/8" BSPP cold water supply line suggested max. dist. from water supply 8'
4. 3/4" flexible drainline (min. 0.25"/1' slope)
5. sink drain above p-trap
6. 120V, 15amp electrical supply to grinder
7. 120V, electrical supply to espresso machine (plug included)

## water specifications

La Marzocco recommends that your filtration system produces water with the following properties:

|                       |            |
|-----------------------|------------|
| <b>T.D.S.</b>         | 90—150ppm  |
| <b>Total Hardness</b> | 70—100 ppm |
| <b>Total Iron</b>     | 0—0.02ppm  |
| <b>Free Chlorine</b>  | 0—0.05ppm  |
| <b>Total Chlorine</b> | 0—0.1ppm   |

|                      |                |
|----------------------|----------------|
| <b>pH</b>            | 6.5—8          |
| <b>Alkalinity</b>    | 40—80ppm       |
| <b>Chloride</b>      | 0—30ppm        |
| <b>Line Pressure</b> | 45—80 PSI      |
| <b>Flow Rate</b>     | 2 GPM or 8 LPM |